

UNIVERSAL INSTRUCTIONS

ROUND POOLS

PLEASE READ THESE INSTRUCTIONS CAREFULLY AND THOROUGHLY BEFORE STARTING GROUND PREPARATION AND POOL ASSEMBLY. DOING SO WILL PREVENT PROBLEMS.

Page

Round Pool: General information -----	1
1) Selection pool site -----	1
2) Ground preparation -----	2
3) Assembling bottom rail -----	2
4) Installing wall -----	3
5) Build an earth mound (cove) -----	3
6) Through the wall skimmer -----	4
7) Liner installation -----	4

Please refer to “Assemble Top Seat , Vertical and Cover” of an attached sheet.

8) Install the top rail and upper joint -----	4
9) Filling the pool -----	4
10) Helpfull information -----	5
11) SAFETY RULES -----	5



WARNING

BE SURE YOU HAVE READ AND UNDERSTOOD ALL THE “SAFETY INFORMATION” BEFORE YOU BEGIN YOUR POOL INSTALLATION.



WARNING

THIS POOL IS DESIGNED FOR SWIMMING ONLY. IT IS NOT INTENDED FOR DIVING OR JUMPING. PERMANENT INJURY OR DEATH CAN RESULT.



GENERAL INFORMATION

Before attempting to set up the pool, read the entire instructions. There are certain areas in the instructions that are extremely important to follow exactly as written and/or pictured. Any deviation from these instructions voids warranty of the pool and could cause bodily harm or damage to your property.

Open the cartons and remove all parts except steel wall and liner. Before pool assembly, you must identify, count and check all parts for assembly by parts list. Familiarize yourself with all of the parts. Refer to the parts list.

CAUTION: Do not start the installation of your pool unless you have an entire day to finish the work.
Do not try to set up your pool on a windy day.
The wall will be difficult or even impossible to handle.

An average pool needs 2 or 3 people for installation. The following tools and materials are needed.

Screwdriver	Earth Roller	Shovel
Tamping Tool	String	Marking Pencil
Pegs and Stakes	Hammer & Nails	Masking Tape
Carpenter's Level	Sand	Rake
Measuring Tape	2"x4" Board	Chalk or Flour
Patio Block		Plastic Tape

FAILURE TO OBSERVE ANY OF THE ABOVE INSTRUCTIONS WILL VOID WARRANTY.

SIFTED EARTH OR SAND NEEDED PER EACH SIZE POOL AS FOLLOWS:

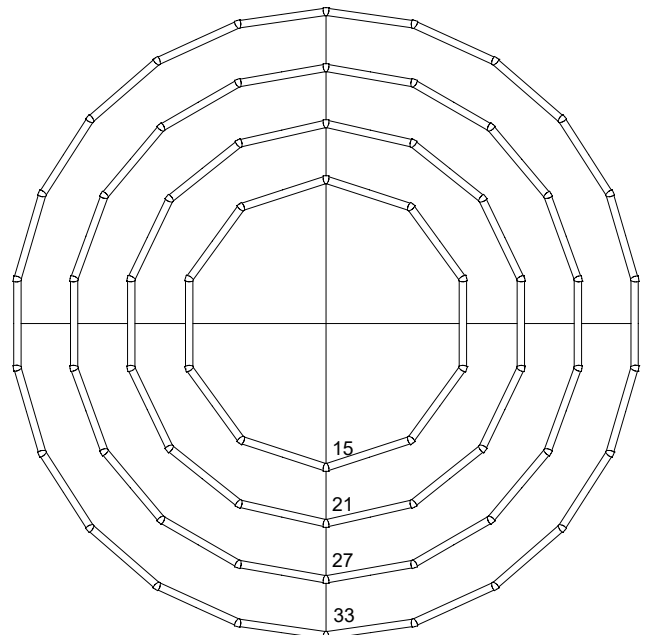
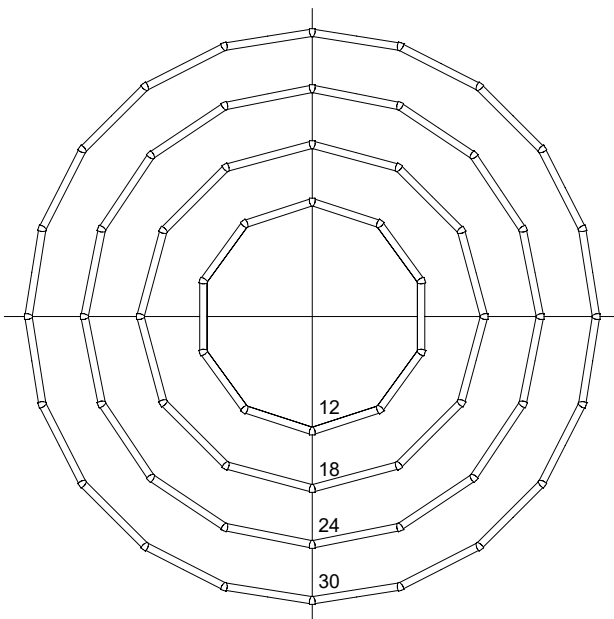
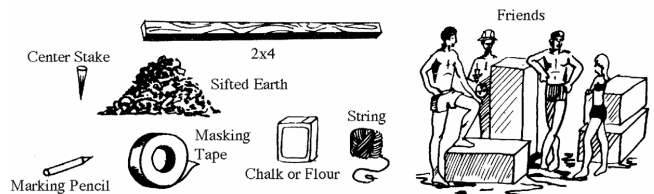
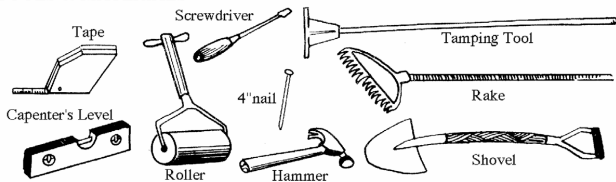
15' Diameter Pool	29 cubic feet
18' Diameter Pool	42 cubic feet
21' Diameter Pool	57 cubic feet
24' Diameter Pool	74 cubic feet
27' Diameter Pool	94 cubic feet

1) SELECTION OF POOL SITE

Before starting the installation, the following points are important;

- a) The site must be large enough to accommodate the pool with plenty of area around it for pool accessories, chairs, tables etc.
- b) Determine where your filtration and skimmer will be located. It must be connected to a grounded 110 volt electrical outlet, with a G.F.I. (Ground Fault Interrupter).
- c) The pool must be in reach of your water supply. Although the water should not be drained, but kept clean through filtration and chemicals, there should be drainage facilities near in case of need.
- d) Perimeter area of ground must be absolutely level and firm. All grass and sod under entire pool area must be dug out to avoid unpleasant odors from decomposition under the pool due to lack of air. Remove sharp objects, stones, twigs, pebbles, roots, etc. They may damage the liner. If the ground has been treated with chemicals or weed killer allow two weeks before setting up the pool. Do not set up the pool on concrete, asphalt, tar paper, peatmoss, sand, gravel, or where nut grass has been planted. Poorly prepared ground could allow certain weeds or grass to grow through the liner. Liner is not warranted against this. If ground is uneven in perimeter area, dig out the high spots. Do not build up the low side by padding it with earth. The weight and movement of the water will pack down the fill causing the pool to sink. Inside perimeter of pool (the area inside of the frame and wall) can be leveled with 1" or 2" of sand raked and rolled smooth.

TOOLS & MATERIALS



2) GROUND PREPARATION

The preparation of the ground is the most important step in the installation of the pool.

a) Mark off your pool area by driving stakes. Have a helper hold a tape measure or a string and mark off the pool perimeter using flour or chalk. Remove sod inside the pool area to a distance of 1 feet beyond dimensions shown in the plot layout around entire perimeter of pool.

b) Remove all grass from within the entire pool area. It is not enough to just cut the grass. The sod must be removed.

c) Two or three inches of sand is the best for your liner. Using sand eliminates the necessity to level inside of frame area except where exceptionally high or low areas exist. These areas should either be dug or filled in. This does not mean the perimeter or frame area. That area must be firm and level by digging only.

d) Do not fill low spots in the area where pool wall will rest as setting may cause your pool to become out of level. Making sure pool bottom is flat. This is a must.

e) If your site is not on firm soil, use 2" patio blocks for the base of the wall Care should be taken to center a patio block under each bottom plate. The top of the patio blocks should be flush with the prepared ground surface.

Pool Dimension & Wall Length

POOL SIZE	Diameter			Wall Length			Top Sheet
	mm.	ft	in.	mm.	ft	in.	Qty
12	3,611	11	10 2/8	11,346	37	2 5/8	10
15	4,572	15	0	14,363	47	1 4/8	10
18	5,486	18	0	17,236	56	6 5/8	12
21	6,401	21	0	20,109	65	11 5/8	14
24	7,315	24	0	22,981	75	4 6/8	16
27	8,230	27	0	25,854	84	9 7/8	18
30	9,144	30	0	28,727	94	3	20
33	10,058	33	0	31,599	103	8 1/8	22

3) ASSEMBLING BOTTOM RAIL

STEP 1:

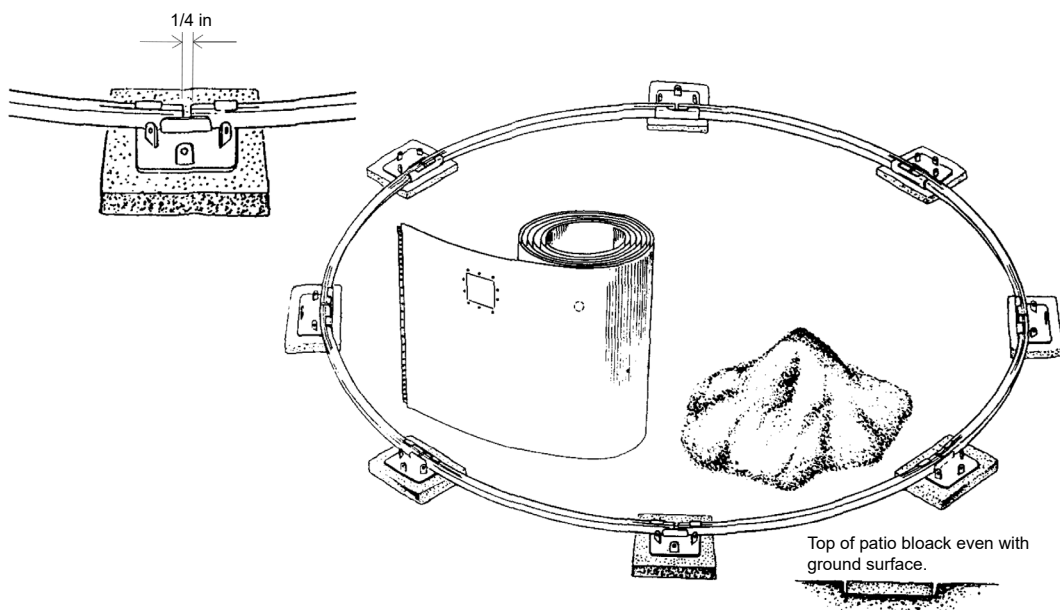
Before proceeding, remove the steel wall from carton and stand on a 3'x3' board inside pool area as shown at right. Put the liner, (leaving it in the carton) inside pool area.

STEP 2:

Insert the bottom rails around the entire perimeter using lower joints on the circular portion of the pool. Leave one section open that will be nearest to where you will locate your filter.

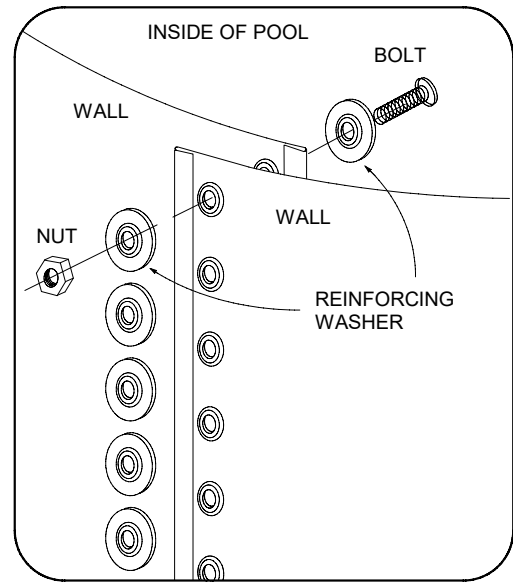
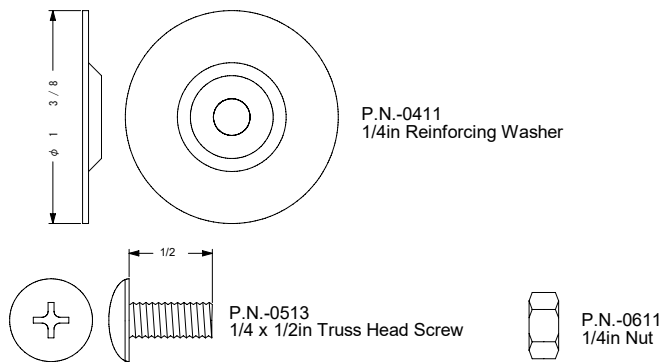
NOTE: Before proceeding to the next step, place a large amount to sifted earth in the middle of the circle. (see chart for the amount on the first page.)

Sifted earth should not contain any pebbles. Place a patio block under each lower joint around curved



4) INSTALLING WALL

Use Wall Joint Bolt Package packed in a Wall Carton.



Due to the weight of wall, some bending will occur in the top and bottom corrugation because the wall is built to flex. Simply bend those sections back before inserting wall in top or bottom rail.

DO NOT FASTEN THE WALL WITHOUT USING THE REINFORCING WASHERS ! FAILURE TO USE REINFORCING WASHERS AS INSTRUCTED WILL CAUSE WALL TO SPLIT WHEN POOL IS FILLED. THIS CAN CAUSE SERIOUS PROPERTY DAMAGE AND/OR BODILY INJURY.

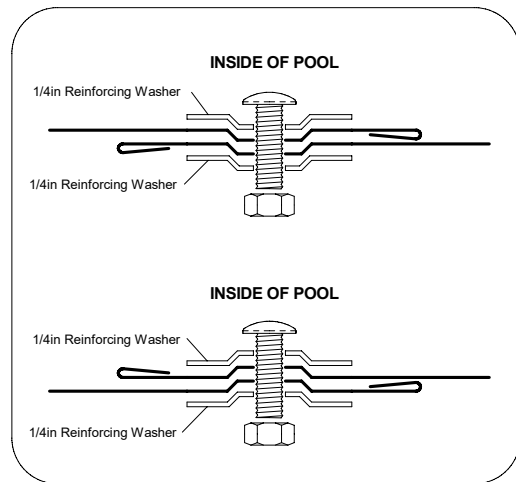
STEP 1: It is practical if two people work together; one inside and one outside of the pool.

STEP 2: Place coiled wall near bottom rail one section open.

NOTE: There is an up and down side on steel wall. Locate the skimmer cutouts which are near the outside end of the wall. These cutouts must be at the TOP even if you will not be using these cutouts.

STEP 3: Bring the wall close to the bottom rail. Make sure there is nothing in the bottom rail before inserting the wall. If there is earth or something is in the bottom rail, take it out accordingly. Begin to insert end of wall into bottom rail. One person unwinding wall (wall should be on a plywood base for ease of rotating) while the other person is feeding wall into slot of bottom rail around entire pool. As you unwind the wall and insert it into the assembled bottom rails, temporarily place top rail sections on top of the wall. This will help to prevent the wall from bending or falling over. Should the wall be either too short or too long, adjust bottom rails. The circumference of bottom rails can be adjusted slightly by equally tapping outward or inward at the each lower joint until the wall ends meet.

STEP 4: Bring the two open ends of the wall together as shown above. This is one of the most important steps in assembling the pool. Pay close attention to the following points.



INSERT THE SCREWS FROM INSIDE OF WALL. NUT MUST BE FASTENED FROM OUTSIDE OF WALL.

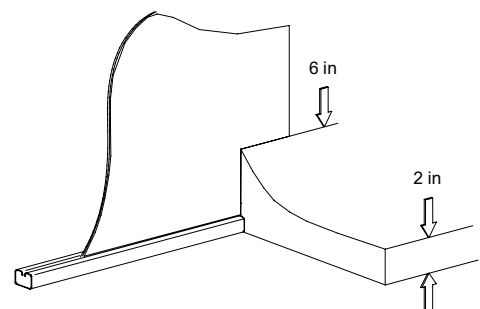
- * Reinforcing Washers must be on INSIDE and OUTSIDE of wall.
- * Insert the screws from INSIDE of the wall.
- * Insert and fasten screws from hole to hole down to the bottom of the wall. Do not fasten tightly before insert all screws.
- * Fasten all screws tightly.
- * Do not leave any open holes.
- * Cover all the screw heads with strip of fabric tape.
- * Check the level of the top of the wall.

5) BUILD AN EARTH MOUND (Cove)

Build a mound 6" high and extending 8 to 10" on the ground around the inside of the pool wall. Pack the earth gently but firmly.

IMPORTANT:

The earth mound must be built right. You must rebuild the earth mound each time you set up the pool. Water pressure can force the liner out under the bottom rail and cause damage to the liner.



6) THROUGH THE WALL SKIMMER

STEP 1: For untrusting, all edges of cut out have to be covered by vinyl tape or rusting paint.
Begin the installation of the through the wall skimmer.
Follow separate skimmer installations.

At one point during the installation of the skimmer, you have to install the liner. The skimmer installation will tell you when. Complete the installation of the liner as described next. Then finish the skimmer installation.

7) LINER INSTALLATION

CAUTION: Remove your shoes. The liner should never be forcefully pulled or dragged, especially when it holds water, even only 1/2". When you enter the pool during installation, use a ladder other than a pool ladder.
Make sure the legs rest on a strong flat board.

STEP 1: Open the liner carton carefully by removing the tape. (Do not cut open carton.)

STEP 2: Unfold the liner inside the metal wall. Carefully spread it out on the ground. The seam around the bottom of the liner should be well up the earth mound. Do this evenly all around pool.

STEP 3: Remove top rail temporarily placed.
Lift the side of the liner over the top of the wall. Form a collar approximately 3" down the outside of the wall and temporarily tape it, to the outside of the wall using masking tape at intervals of 3'.

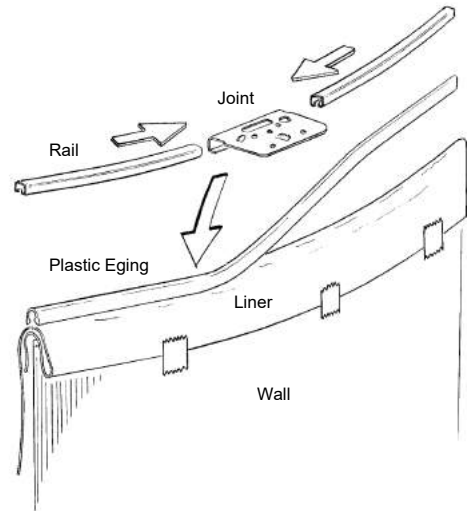
STEP 4: Take the plastic edging and clip it over the liner and the top of the wall. The ends of each section of edging should touch each other. The edging forms a full circle all around. Cut off excess plastic edging

If the liner does not fit evenly around the pool. Remove the masking tape gently from the collar of the liner and wall. Smooth out all wrinkles on the bottom of the liner. There may be extra material around the side. Spread it evenly all around the side of the pool. There may be extra material in height.

8) INSTALL THE TOP RAIL, UPPER JOINT

Lay out these parts on the ground alternating upper joints and rails at the same position with the lower joints and bottom rails assembled before. Insert the top rail into upper joint, clip a rail over the plastic edging and top of the wall as shown at right.

Clip all rails and upper joints over the wall in this way until the entire top rail is formed.



Please refer to an attached sheet of "Assemble Top Seat, Vertical and Cover — Seat covers"

IMPORTANT INFORMATION ABOUT YOUR POOL LINER

We do not make or supply liners for our pool. Please contact the liner's manufacturer with questions or if instructions are not included with the liner. Liner must be installed as per the liner manufacturer's instructions. Incorrect liner installation may void the pool warranty.

9) FILLING THE POOL

When pool is completely assembled and ready for water, run water into the pool. Wrinkles in pool liner should be smoothed out as water is added for easier maintenance.

IMPORTANT: STOP FILLING POOL AT 1 FOOT DEPTH

STEP 1: **INSPECT BOTTOM RAILS**-make sure they are not scalloped, see detail at right. If rails scallop, pull outward at the bottom of the verticals to allow wall and rails to assume natural shape.
By using a string and small weight, check each vertical. To see that they stand straight.
Be sure each vertical stands perfectly straight.

STEP 2: Measure all around the pool, from the **TOP RAIL** down to **WATER LEVEL**. This level **SHOULD NOT VARY MORE THAN ONE INCH**. An unlevelled condition will cause overstress of the pool wall and frame. Remove excess soil as required to establish a level frame and bottom rail condition.

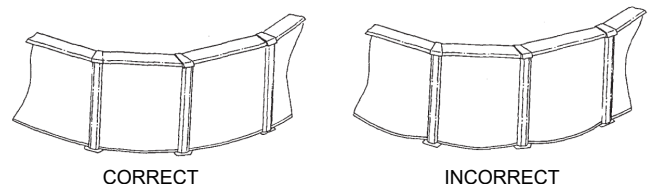
See " ASSEMBLY OF BOTTOM RAILS "

STEP 3: Set as many hoses as you want to help speed up filling time. The pool holds a considerable amount of water .

STEP 4: To keep the water clean and protect your liner from being damaged it is best to cover hose end(s) with several layers of rags.

STEP 5: When desired water level is reached, turn on your filter. (Follow separate instructions provided with your filter.)

CAUTION: Do not attempt to straighten liner after you begin to fill with water. Severe damage could be caused and you will void warranty.



10) HELPFUL INFORMATION

- Proper filtering and chemical treatments should not make it necessary to change the pool water.
Your pool dealer will advise you of the proper procedure.
To estimate the amount of chemicals needed here is the approximate water content of the pool based on full capacity:

Pool Size	Capacity Gallons	Pool Size	Capacity Gallons
12x48	3,248	12x52	3,518
15x48	5,205	15x52	5,638
18x48	7,495	18x52	8,119
21x48	10,201	21x52	11,051
24x48	13,324	24x52	14,435
27x48	16,863	27x52	18,269
30x48	20,819	30x52	22,554
33x48	25,191	33x52	27,290

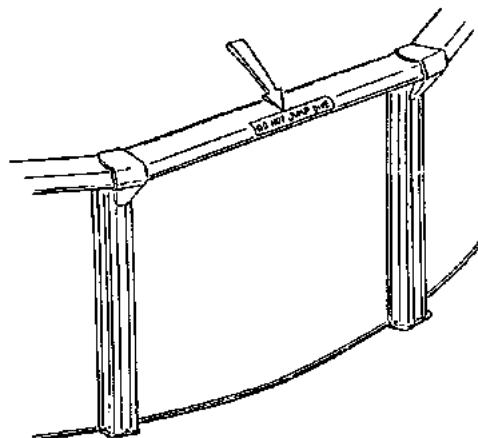
- To help keep the pool clean and child proof, a pool cover should be on the pool whenever it is not in use.
This also reduces loss of water and chemicals.
To keep the pool in working condition check the following operation:
 - Leaks in skimmer and filter connections must be stopped. A constant drip of chlorinated water on metal will corrode the metal.
 - If there is sign of corrosion on pool wall drain pool immediately, and replace it.
 - The pool should be left up and filled year round properly winterized and covered with a good cover.
 - DO NOT empty your pool in spring. Filtration and chlorination will remove all impurities. Leaves and other matter should be skimmed or vacuumed out of the pool.



11) SAFETY RULES

- Read your instructions and safety rules carefully. If you do not follow the safety rules someone could be injured or damage could occur.
- Plan carefully where you are going to put your pool. It must be close to a water source for filling.
- Never let anyone swim alone. Children must be carefully watched. For added safety, install a convex type mirror above pool to give full view of interior.
- Do not let anyone rough-house in or around your pool. The pool area and decks can be slippery. Someone could be badly injured. Make sure you follow the safety rules at all time.
- Always keep the water clean and sanitary. Proper chemical balance of water must be maintained. Your dealer can assist you in maintaining a safe and sanitary pool.
- DO NOT DIVE OR JUMP INTO YOUR POOL. THE POOL IS NOT DESIGNED FOR DIVING OR JUMPING !**
- Remove ladders when there is no adult to watch the pool. Barriers to prevent unsupervised access, especially by young should be built.

SAFETY DECALS CAN BE AFFIXED TO A CLEAN, DRY, SMOOTH SURFACE SUCH AS THE VINYL LINER, TOP SEAT THAT HAS SMOOTH FINISH. THEY MUST BE PLACED THAT THEY ARE EASILY SEEN.



Jumping and diving into a ASAHI CHEMICAL's Pool is STRICTLY FORBIDDEN. It is your responsibility as the owner of the pool to do the following:

- Do not locate pool near objects that would entice diving i.e. garages, tree, porches, etc.
- Do not let anyone use your pool unless they are fully aware of the DO NOT DIVE OR JUMP notice.
- Do not permit "rough-playing" in and around your pool.
- Do not allow people to sit or walk on the top seat of the pool.

IT IS YOUR RESPONSIBILITY AS A POOL OWNER TO INSURE THE SAFETY OF WHOMEVER USES THE POOL NOT THE MANUFACTURER.

READ ALL INSTRUCTIONS CAREFULLY BEFORE ASSEMBLING YOUR POOL.

Read through all instructions completely and familiarize yourself with all pool parts and accessories before pool assembly. Damage may be done if all instructions are not carefully followed, and in such cases, will void manufacturer's warranty. When assembling pool, read through what you must do for each step, then proceed.

WARNING

THIS POOL IS DESIGNED FOR SWIMMING ONLY. IT IS NOT INTENDED FOR DIVING OR JUMPING. BE SURE TO FOLLOW ALL SAFETY RULES WHILE USING THE POOL AT ALL TIMES.

SAFETY INFORMATION

- NEVER JUMP OR DIVE INTO AN ABOVEGROUND POOL.
- MAINTAIN CONSTANT ADULT SUPERVISION WHEN CHILDREN ARE IN OR NEAR AN ABOVEGROUND POOL.
- DO NOT SIT OR WALK ON THE TOP LEDGE OF AN ABOVEGROUND POOL.
- DO NOT LOCATE THE ABOVEGROUND POOL UNDER OBJECTS SUCH AS POWER LINES OR TREES.
- DO NOT LOCATE THE ABOVEGROUND POOL NEAR OBJECTS THAT WILL ENTICE DIVING OR JUMPING SUCH AS GARAGES, TREES OR PORCHES.
- MAINTENANCE AND SAFETY CHECKS OF ALL EQUIPMENT MUST BE DONE REGULARLY.
- BARRIERS TO PREVENT UNSUPERVISED ACCESS, ESPECIALLY BY YOUNG SHOULD BE BUILT.
- PROPER CHEMICAL BALANCE OF THE WATER MUST BE MAINTAINED. YOUR DEALER CAN ASSIST YOU IN MAINTAINING A SAFE AND SANITARY POOL.

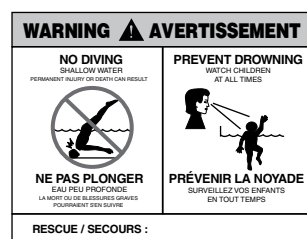
THESE SAFETY TIPS AND RECOMMENDATIONS ARE THE RESPONSIBILITY OF THE POOL OWNER AND MUST BE MADE KNOWN TO ALL WHO USE THE POOL. ALL NECESSARY STEPS MUST BE TAKEN BY THE POOL OWNER TO ASSURE THE SAFETY OF EVERYONE USING THE POOL.



ATTENTION

INSTALL ALL SAFETY DECALS PROVIDED. ANY FAILURE TO INSTALL THESE SAFETY DECALS WILL VOID YOUR WARRANTY!

IF YOUR SAFETY DECALS GET DAMAGED OR FALL OFF YOU CAN ASK FOR NEW ONES FOR FREE.



POOL ENTRANCE STICKER



POOL LINER STICKER

INSTRUCTIONS DE MONTAGE

PISCINES RONDES

VEUILLEZ LIRE ATTENTIVEMENT ET COMPLETEMENT CETTE NOTICE AVANT DE COMMENCER LA PREPARATION DU TERRAIN ET LE MONTAGE DE LA PISCINE. PROCEDER AINSI, VOUS EVITERA UNE PERTE DE TEMPS ULTERIEURE, VOIR DES PROBLEMES.

Page

Piscines Rondes: Informations Générales -----	1
1) Choix de l'emplacement -----	1
2) Préparation du sol -----	2
3) Assemblage des rails du bas -----	2
4) Installation de la paroi -----	3
5) Réalisation d'un rebord en terre (doucine) --	3
6) Installation de l'écumoire -----	4
7) Mise en place de la toile -----	4

Veillez vous référer à la fiche "Assemblage des margelles, montants verticaux et couvre-joints" suivant le modèle de piscine.

8) Installation des montants verticaux ----- margelles et couvre-joints	4
9) Remplissage de la piscine -----	4
10) Informations utiles -----	5
11) RÈGLES DE SÉCURITÉ -----	5



AVERTISSEMENT

ASSUREZ-VOUS D'AVOIR LU LE MANUEL " INFORMATION DE SÉCURITÉ " AVANT DE COMMENCER L'INSTALLATION DE VOTRE PISCINE.



AVERTISSEMENT

CETTE PISCINE EST CONÇUE POUR NAGER UNIQUEMENT. POUR VOTRE SÉCURITÉ NE PAS PLONGER NI SAUTER. LA MORT OU DE BLESSURES GRAVES POURRAIENT S'EN SUIVRE.



INFORMATIONS GENERALES

Avant de débuter toute installation, veuillez lire attentivement ce manuel. Le respect des étapes de montage est très important. Un non respect même partiel entraînera la résiliation de la garantie et des risques de dommages pour les biens et personnes pourraient en résulter.

Ouvrir les cartons et identifier toutes les pièces (ne pas retirer des cartons la paroi de la piscine et le liner afin de ne pas risquer de les endommager). Veuillez identifier, compter et vous familiariser avec toutes les pièces avant de débuter l'installation. Se Référez à la liste des pièces.

ATTENTION: Prenez une journée complète pour l'installation de la piscine. Ne pas commencer si du vent est annoncé. Par temps venteux, il est impossible de manipuler et installer la paroi.

L'installation nécessite la présence de 2 ou 3 personnes. Les outils suivant seront nécessaires.

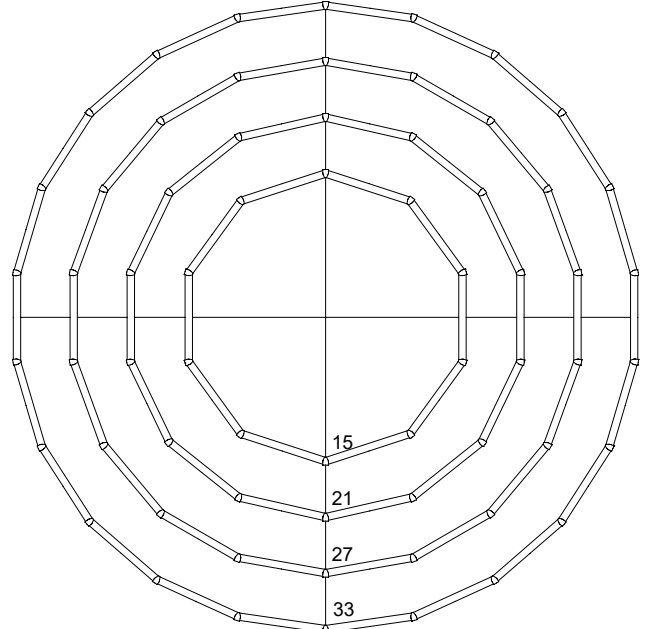
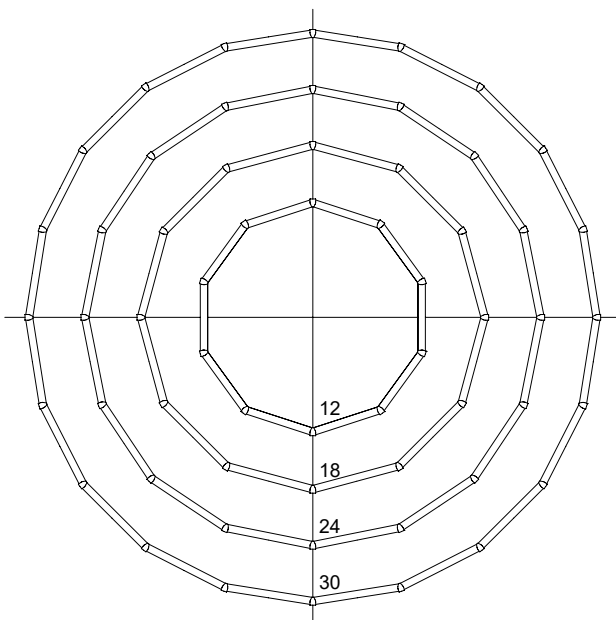
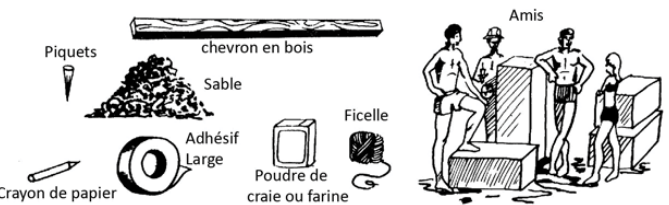
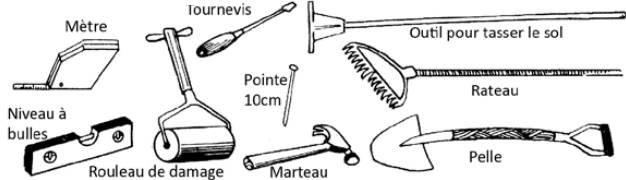
Tournevis	Rouleau de damage	Crayon de papier
Outil pour tasser le sol	Ficelle	Adhésif Large
Piquets en bois ou métalliques	Marteau et pointes	Rateau
Niveau à bulle	Sable	Poudre de craie ou farine
Mètre	Chevron en bois 2"x4"	Ruban adhésif robuste
Dalles de jardin de 30x30cm	Pelle	

LE FAIT DE NE PAS SUIVRE SCRUPULEUSEMENT CETTE NOTICE ENTRAINERA LA RESILIATION DE LA GARANTIE.

VOLUMES ESTIMATIFS DE SABLE NECESSAIRE SUIVANT LE DIAMETRE DE LA PISCINE:

Piscine Diam 15' (4.57m)	29 pieds cubes (2.7 m ³)
Piscine Diam 18' (5.49m)	42 pieds cubes (3.9 m ³)
Piscine Diam 21' (6.40m)	57 pieds cubes (5.3 m ³)
Piscine Diam 24' (7.32m)	74 pieds cubes (6.9 m ³)
Piscine Diam 27' (8.23m)	94 pieds cubes (8.8 m ³)

OUTILS & MATERIAUX



1) CHOIX DE L'EMPLACEMENT

Avant de débuter l'installation, il est important de respecter les points suivants :

- Le site doit être suffisamment vaste pour la surface de la piscine et disposer d'espace supplémentaire tout autour pour permettre l'installation et disposer ensuite des accessoires : chaises, table etc.
- Déterminer où vous souhaitez installer la filtration afin de placer les découpes du skimmer et de la buse de refoulement sur la paroi de manière adéquate. La filtration devra être placée à plus de 3.50m du bassin et être relié au réseau électrique via une protection par disjoncteur différentiel 30mA.
- La piscine doit être à proximité d'un point d'alimentation en eau pour le remplissage. Bien que l'eau contenu dans la piscine ne doit pas être vidangée régulièrement, une vidange partielle peut être nécessaire au moment de l'hivernage donc prévoir une évacuation possible.

- La surface d'installation doit être parfaitement nivelée et stable. Toutes les plantes et le gazon doivent être éliminés de manière à éviter des odeurs dues à la décomposition. Oter tous les objets pointus, les pierres, les racines, etc... qui pourraient percer le liner. Si le sol vient d'être traité avec un désherbant ou tout autre produit chimique, il faut attendre 2 semaines au moins avant de procéder à l'installation. Ne pas installer la piscine sur un sol en bitume ou recouvert d'une surface meuble. Un sol mal préparé peut permettre le développement d'herbes, de champignons ou de moisissures pouvant endommager ou tâcher le liner. Si le sol n'est pas plat, il convient d'éliminer les parties les plus hautes. Ne pas combler les parties basses. Le tassement du sol pourrait entraîner l'effondrement de la piscine. La surface interne de la piscine (délimitée par la structure et le mur de la piscine doit être recouverte de 5cm de sable fin et parfaitement ratissé et tassé.

2) PREPARATION DU SOL

La préparation du sol est l'étape la plus importante de l'installation de la piscine.

a) Tracer sur le sol le périmètre de la piscine en procédant ainsi :

Planter un piquet marquant le centre de la piscine.

Fixer à ce piquet une ficelle et mesurer sur cette ficelle la longueur du rayon de la piscine (diamètre réel divisé par 2 sur le tableau joint).

En utilisant la ficelle comme un compas et à l'aide de la farine ou de la poudre de craie dessiner le périmètre de la piscine sur le sol.

il vous faut un espace libre d'au moins 1 pi (30cm) libres tout autour de ce périmètre.

Dimensions des piscines & Longueurs des parois

TAILLE PISCINE	Diamètre Interne Réel			Longueur Mur			Margelles et plaques de base Qty
	mm.	pi	po	mm.	pi	po	
12	3,611	11	10 2/8	11,346	37	2 5/8	10
15	4,572	15	0	14,363	47	1 4/8	10
18	5,486	18	0	17,236	56	6 5/8	12
21	6,401	21	0	20,109	65	11 5/8	14
24	7,315	24	0	22,981	75	4 6/8	16
27	8,230	27	0	25,854	84	9 7/8	18
30	9,144	30	0	28,727	94	3	20
33	10,058	33	0	31,599	103	8 1/8	22

b) Retirer le gazon sur toute la surface de la piscine. Il ne suffit pas de couper l'herbe, il faut retirer le gazon et la couche superficielle de terre pour éliminer les racines à l'aide de la pelle.

c) 2 à 3 po (5 à 7cm) de sable tassé seront nécessaires sur toute la surface recouverte ensuite par la piscine.

Il convient donc de retirer au moins 2 po (5cm) au niveau du sol et remplacer la terre dégagée par du sable.

Le sable doit être fin et parfaitement tassé et parfaitement de niveau.

La stabilité et la durée de vie de votre piscine dépend du compactage du sol et du fait qu'il soit parfaitement plat et de niveau

d) Si vous avez dû retirer des mottes de terre, surtout de pas combler le trou avec de la terre, mais utiliser du sable fortement compacter de manière à éviter un tassement ultérieur. A l'aide du Chevron et du Niveau, vérifier que la surface de la piscine soit parfaitement plate et de niveau.

e) Placer des dalles de jardin parfaitement de niveau les unes par rapport aux autres et de niveau par rapport au sol fini (sable tassé/compacté). L'emplacement de chaque dalle de jardin doit correspondre à chaque plaque de base. Les plaques de base devront se retrouver à peu près au centre des dalles de jardin. Vous pouvez donc installer les dalles de jardin en les centrant par rapport au cercle dessiné à l'aide de la farine ou de la poudre de craie (voir en haut de la page). Les plaques doivent être parfaitement calées et reposées elles-mêmes sur le sol stable.

3) ASSEMBLAGE DES RAILS BAS

ETAPE 1:

L'assemblage de la piscine (structure, pose du liner, remplissage) doit se faire le jour même. La pose du liner nécessitant du soleil et une température de 22°C minimum, sélectionner une journée adéquate pour l'installation de la piscine. Commencer par placer la paroi de la piscine verticalement, sur une plaque en carton ou en bois dans la piscine. Placer également dans la piscine le carton du liner (sans le sortir de son carton) et une bonne quantité de terre (ou sable fin) pour réaliser le rebord en bas de paroi (voir page 3).

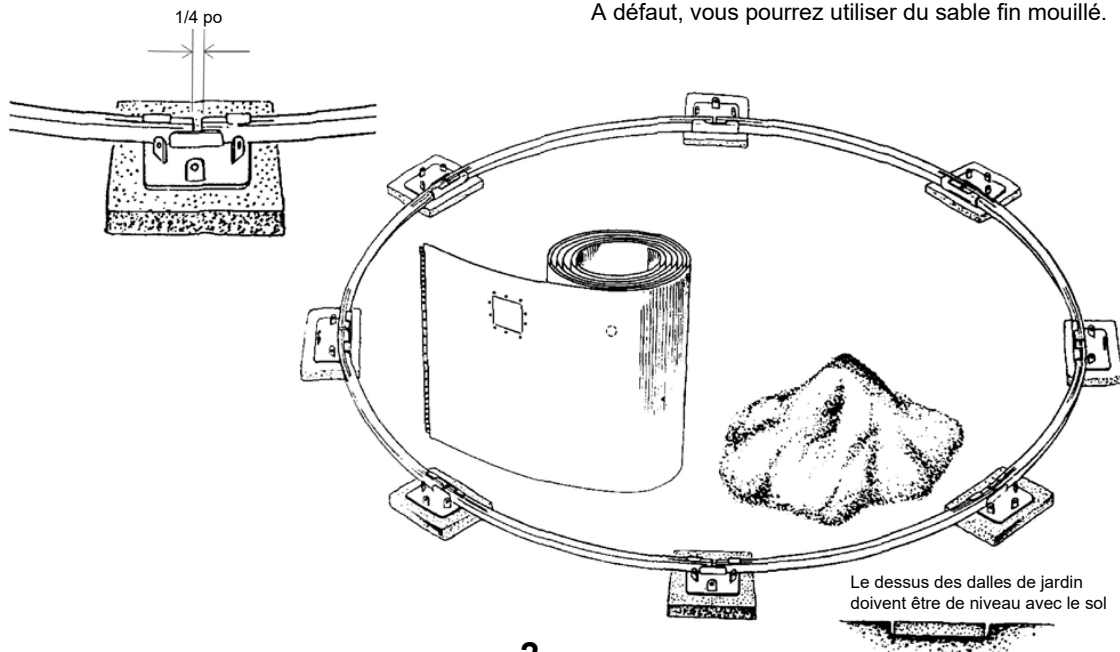
ETAPE 2:

Placer les plaques de base sur les dalles de jardin et insérer les rails bas dans ces plaques en laissant un espace suivant le schéma ci-dessous.

Mettre en place toutes les plaques de base et les rails bas.

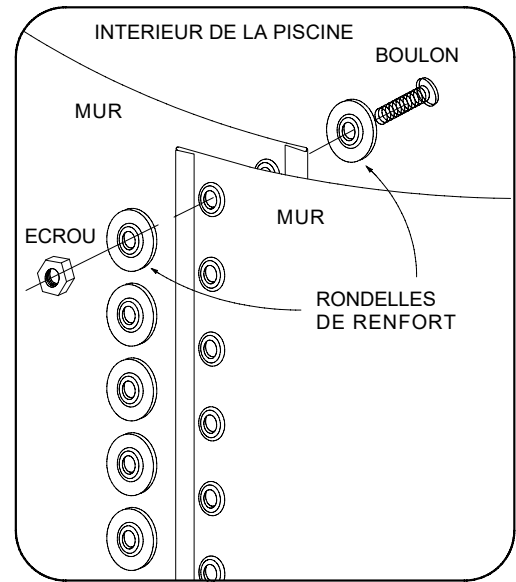
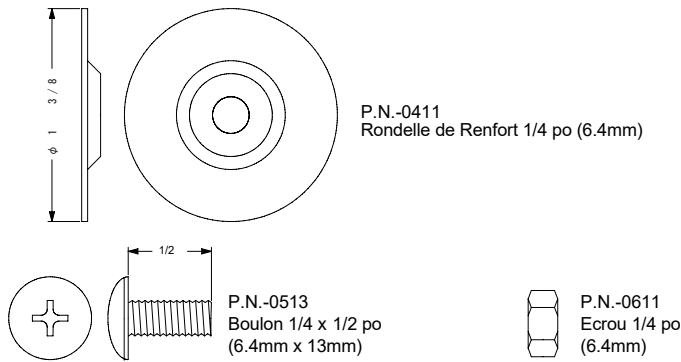
NOTE: Si vous utilisez de la terre pour faire le rebord, placer cette terre sur une plaque en carton ou en bois afin de ne pas la mélanger avec le sable compacté du sol.

Cette terre ne doit pas contenir de cailloux, de racines. A défaut, vous pourrez utiliser du sable fin mouillé.



4) INSTALLATION DE LA PAROIE

Utiliser la visserie se trouvant dans le carton de la paroi.



En raison du poids de la paroi, une courbure peut apparaître en haut et en bas, car la paroi est conçue pour être flexible. Faire pression sur ces zones déformées afin de retrouver la forme d'origine avant d'insérer la paroi dans les rails bas.

IL FAUT ABSOLUMENT UTILISER LES RONDELLES DE RENFORT POUR ASSEMBLER LE MUR !
LA NON UTILISATION DES RONDELLES DE RENFORT PEUT ENTRAINER LA RUPTURE DE LA PAROIE UNE FOIS LA PISCINE REMPLIE ET CAUSER D'IMPORTANTS DEGATS Y COMPRIS CORPORELS.

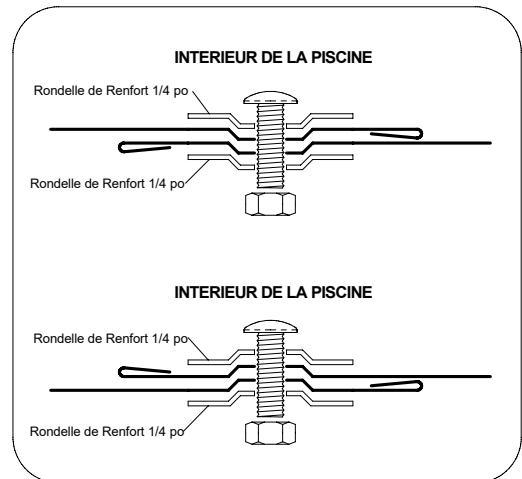
ETAPE 1: Il est recommandé de mettre en place la paroi à 2 personnes: une à l'intérieur, l'autre à l'extérieur.

ETAPE 2: Placer le rouleau de la paroi, prêt d'un rail bas du côté intérieur de la piscine.

NOTE: La paroi a un sens Haut/Bas. Trouvez sur la paroi la découpe du skimmer (découpe rectangulaire). Cette découpe se trouve prêt de l'extrémité extérieure du rouleau de la paroi. Cette découpe correspond au HAUT de la paroi.

ETAPE 3: Apporter la paroi à côté d'un rail bas. Vérifier qu'aucune impureté ne se trouve à l'intérieur des rails bas (sable, terre). Si des impuretés se trouvent dans le rail, retirer délicatement ces impuretés. Commencer par insérer l'extrémité du mur dans le rail. Une personne déroule la paroi pendant qu'une seconde personne insère la paroi dans les rails (le rouleau doit être sur un carton ou une plaque de bois permettant de la dérouler facilement et ne pas dégrader le sol). Au fur et à mesure du déroulement de la paroi, mettre en place temporairement les rails en haut de la paroi afin de la stabiliser. Ceci permet d'éviter que le mur s'écroule. Il est possible de fixer l'extrémité insérée au début à un escabeau à l'aide d'adhésif afin de maintenir le mur. Si la paroi paraît trop courte ou trop longue, ajuster le périmètre de la piscine en "jouant" sur l'espace laissé entre les rails bas au niveau des plaques de base.

ETAPE 4: Superposer les 2 extrémités de la paroi comme sur le schéma en haut à droite et assembler les 2 parties avec les boulons, écrous et rondelles de renfort. Les rondelles de renfort sont essentielles.



INSERER LES BOULONS DU COTE INTERIEUR DE LA PISCINE. LES ECROUS DOIVENT ETRE VISSER DU COTE EXTERIEUR DE LA PAROIE.

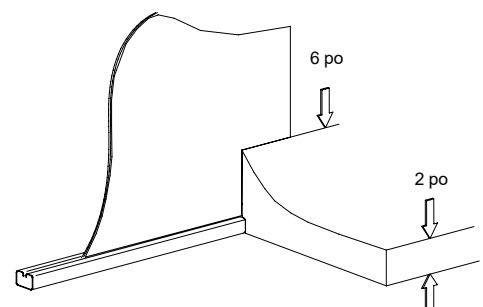
- * Les Rondelles de renfort doivent être à l'INTERIEUR et l'EXTERIEUR de la paroi.
- * Insérer les boulons du côté INTÉRIEUR de la paroi.
- * Mettre les écrous du côté extérieur de la paroi. Visser sans serrer au départ.
- * Une fois tous les écrous en place, les serrez fermement.
- * Ne laisser aucun trou sans boulon et écrou.
- * Côté Intérieur de la Piscine, couvrir les têtes de boulons avec plusieurs bandes d'adhésif large.
- * Vérifier les niveaux en haut de la paroi.

5) REALISATION D'UN REBORD EN TERRE (Doucine)

Construire un rebord en terre (ou sable fin mouillé) tout autour de la piscine du côté intérieur. Le rebord doit faire 6 po (15cm) de haut contre la paroi et s'étendre sur 8 à 10 po (25 à 30cm). Compacter la terre fermement sans endommager la paroi ou le rail.

IMPORTANT:

Le rebord en terre (ou sable fin humide) est destiné à protéger la toile au niveau de la jonction entre la paroi et le rail bas. Il évite le pincement du toile.



6) INSTALLATION DE L'ÉCUMOIRE

ETAPE 1: Afin d'éviter la formation de rouille, les rebords des découpes de la paroi (l'écumoire, refoulement) doivent être protégés par un adhésif ou un produit antirouille (en mettre uniquement sur la tranche). Mettre en place l'écumoire en suivant les instructions livrées avec l'écumoire.

L'écumoire est livré soit avec 2 joints soit avec un joint double. Si vous avez 2 joints, il doivent être installés ainsi l'écumoire à l'extérieur de la piscine > 1 joint > paroi > 1 joint > la toile > cadre à visser en façade. L'écumoire s'installe lors de la mise en place du toile. La notice du l'écumoire, vous précise l'installation de cette pièce. Veuillez vous y reporter. Effectuer l'installation du toile comme il est indiqué ensuite.

7) MISE EN PLACE DE LA TOILE

MISE EN GARDE : Retirer vos chaussures. La toile ne doit jamais être manipulé ou tiré brutalement. Si vous utilisez une échelle pour entrer ou sortir de la piscine, il est impératif de protéger les pieds de cette échelle avec un rembourrage en feutrine afin de ne pas abîmer la toile.

ETAPE 1: Ouvrir le carton du liner avec précaution (ne pas utiliser d'objet coupant)

ETAPE 2: Déplier la toile à l'intérieur de la piscine. Sur la toile, une soudure périphérique délimite le fond de la piscine. Rabattre la toile pour ne voir que cette soudure périphérique et tendre la toile pour laisser partout le même espace entre la paroi métallique et la soudure périphérique.

ETAPE 3: Commencer ensemble à relever la toile chacun allant dans une direction opposée en étirant légèrement la toile. Retirer un par un et, au fur et à mesure du déplacement, les rails hauts mis en place précédemment afin de stabiliser le mur; replier la toile sur environ comme l'illustre le dessin joint; fixer temporairement la toile avec un adhésif.

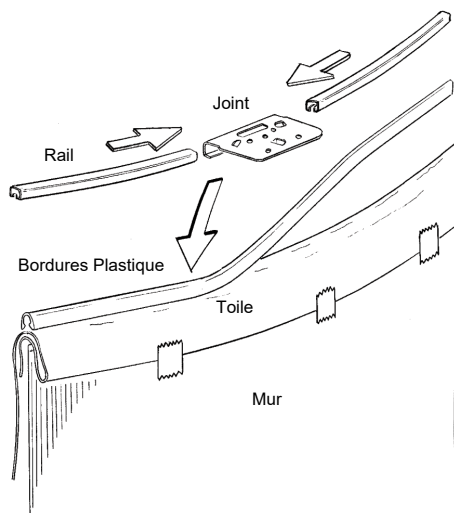
ETAPE 4: Mettre en place, au fur et à mesure du déploiement du toile, les baguettes de fixation en plastique puis remettre au dessus les rails hauts qui viennent s'insérer dans les plaques supérieures. Chaque plaque supérieures se place à la verticale des plaques de base. Il se peut que vous ayez un excédent de baguette de fixation du toile (vous pouvez couper cet excédent).

Si la toile est difficile à mettre en place. Il ne fait pas assez chaud. Il faut au moins 22 à 23°C et du soleil. Sinon, retirer les morceaux d'adhésif, rabattre la toile pour à nouveau délimiter le fond. Replacer le fond du liner suivant la soudure périphérique par rapport à la paroi de la piscine en tendant parfaitement la toile, puis remonter à nouveau les côtés.

8) INSTALLATION DES MONTANTS VERTICAUX, MARGELLES ET COUVRE-JOINTS

Répartir les montants verticaux, les connecteurs et les margelles tout autour de la piscine et face aux plaques de base. Clipser les montants verticaux dans les plaques de base puis les visser à l'aide de 2 vis dans les plaques supérieures. Positionner les margelles et les fixer suivant les recommandations de la fiche « Assemblage de la Margelle et Poteaux ».

Mettre en place les couvre-joints suivant les recommandations de la fiche « Assemblage de la Margelle et Poteaux ».



Veuillez vous référer à la fiche « Assemblage de la Margelles et Poteaux — Couvre-joints »

INFORMATIONS IMPORTANTES SUR VOTRE TOILE DE PISCINE

Nous ne fabriquons ni ne fournissons de toiles pour votre piscine. Veuillez contacter le fabricant de la toile pour toute question ou si les instructions relatives à celle-ci ne sont pas incluses avec la toile. La toile doit être installée conformément aux instructions du fabricant de celle-ci. Une installation inadéquate de la toile peut annuler la garantie de la piscine.

9) REMPLISSAGE DE LA PISCINE

Lorsque la piscine est assemblée, commencer le remplissage. Il est nécessaire d'aider les plis se trouvant sur le fond de la piscine en les poussant vers la paroi pendant le remplissage afin de les faire disparaître.

IMPORTANT: STOPPER LE REMPLISSAGE LORSQUE LA PROFONDEUR D'EAU ATTEINT ENVIRON 1' (30cm).

ETAPE 1: INSPECTER LES RAILS BAS. Il ne doivent pas se déformer – voir schéma à droite. S'il se déforme vider partiellement et vérifier ce qui empêche le mouvement du rail. Au moment du remplissage, la paroi doit pouvoir se tendre légèrement et les rails doivent suivre ce mouvement de tension naturel. Vérifier également que les montants soient bien verticaux et non penchés.

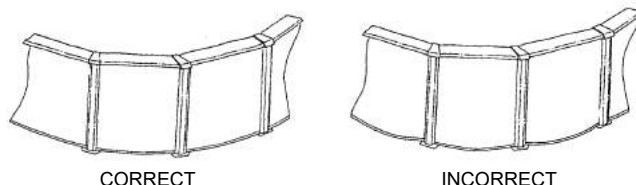
ETAPE 2: VERIFICATION DU NIVEAU. Mesurer tout autour de la piscine la distance entre les margelles et la surface de l'eau. L'écart ne doit pas dépasser 2.5cm. Une piscine qui n'est pas de niveau, crée un stress important sur la structure. Si l'écart est supérieur à 2cm, reprendre toute l'installation de la piscine.

ETAPE 3: Si les rails ne sont pas déformés et le niveau acceptable, reprendre le remplissage.

ETAPE 4: Faire les découpes dans la toile pour installer la buse de refoulement et la toile lorsque l'eau atteint 10cm sous ces pièces.

ETAPE 5: Installer la filtration (voir notice de la filtration). Vous pouvez ensuite mettre en fonction votre filtration.

MISE EN GARDE : Ne pas essayer de tendre la toile pendant le remplissage. Des dommages graves pourraient être causés et annuler la garantie.



10) INFORMATIONS UTILES

- Des traitements d'eau et une filtration adéquats garderont l'eau de piscine propre et saine.
Voir la procédure à suivre avec votre détaillant.
Voici la capacité d'eau approximative selon la grandeur de la piscine:

Grandeur	Capacité Gallons	Grandeur	Capacité Gallons
12x48	3,248	12x52	3,518
15x48	5,205	15x52	5,638
18x48	7,495	18x52	8,119
21x48	10,201	21x52	11,051
24x48	13,324	24x52	14,435
27x48	16,863	27x52	18,269
30x48	20,819	30x52	22,554
33x48	25,191	33x52	27,290

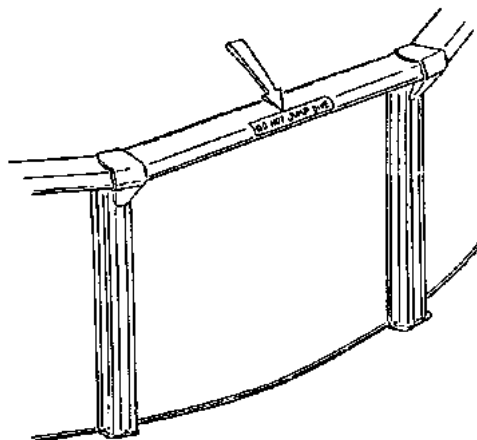
- Une couverture / toile peut être place sur la piscine afin de réduire la perte de produits par evaporation.
Veuillez considerer la consigne suivante pour maintenir le bon fonctionnement de la piscine:
 - Toutes fuites d'eau au niveau de l'écumoir ou système de filtration doivent être colmatées immédiatement. Une fuite constant pourrait causer de la corrosion prématurée.
 - Si la paroi est perforée ou rouillée, vider la piscine et remplacer la paroi.
 - La piscine doit être recouverte d'une toile hivernale lors de l'hivernisation. Veuillez vous référer à votre détaillant.
 - NE JAMAIS vider la piscine complètement. La filtration et produits chimiques assainiront votre eau au printemps au démarrage de la piscine.



11) RÈGLES DE SÉCURITÉ

- Lisez attentivement le manuel d'instructions et de règles de sécurité afin d'éviter tout dommages ou blessures.
- Planifiez soigneusement l'emplacement de la piscine. Qu'il soit à proximité d'une source d'eau.
- Les enfants doivent être constamment supervisés lors de la baignade. Ne laissez personne se baigner seul. Un miroir de type convexe peut être installé près de la piscine afin d'avoir une vue de l'intérieur.
- Les déplacements autour de la piscine doivent être calmes et pauses afin d'éviter toutes blessures dues à la surface glissante. Assurez-vous de suivre les règles de sécurité en tout temps.
- L'eau doit être maintenue propre et saine. Un équilibre chimique approprié de l'eau doit être maintenu. Votre détaillant peut vous aider à maintenir une eau saine et équilibrée.
- NE JAMAIS PLONGER ET/OU SAUTER DANS LA PISCINE. LA PISCINE N'EST PAS CONÇUE POUR PLONGER NI SAUTER!**
- Enlever l'échelle et limiter les accès lorsqu'il n'y a pas de surveillance d'un adulte. Limiter les accès à la piscine quand il n'y a pas de supervision.

LES AUTOCOLLANTS DE SÉCURITÉ PEUVENT ÊTRE APOSÉS SUR LES SURFACES PROPRES, LISSES ET SÈCHES COMME SUR LA MARGELLE ET LA TOILE. POSITIONNER DES ÉTIQUETTES SUR LE CÔTÉ LE PLUS VOYANT DE LA PISCINE.



SAUTER ET/OU PLONGER DANS UNE PISCINE ASAHI EST STRICTEMENT DÉFENDU. Vous êtes responsables des règles suivantes:

Ne placez pas la piscine à proximité d'objets permettant de plonger ou sauter dans la piscine, comme garage, arbre, porsche, etc. S'assurer que tous les usagers ont pris conscience des règles de sécurité. NE PAS PLONGER, NE PAS SAUTER.
Ne permettez aucune bousculade autour ou dans la piscine.
Ne pas marcher ou s'asseoir sur la margelle de la piscine.

IL EST DE LA RESPONSABILITÉ DU PROPRIÉTAIRE DE LA PISCINE D'ASSURER LA SÉCURITÉ DE LA PERSONNE UTILISANT LA PISCINE, PAS DU FABRICANT.

VEUILLEZ LIRE ATTENTIVEMENT LES INSTRUCTIONS AVANT L'ASSEMBLAGE DE LA PISCINE.

Lire les instructions et vous familiarise avec les pièces et composantes avant l'assemblage de la piscine.
Si les instructions ne sont pas suivies attentivement, la garantie du fabricant sera annulée.
Veuillez suivre les étapes attentivement.

AVERTISSEMENT

CETTE PISCINE EST CONÇUE POUR NAGER UNIQUEMENT. POUR VOTRE SÉCURITÉ NE PAS PLONGER NI SAUTER. ASSUREZ-VOUS DE SUIVRE LES RÈGLES DE SÉCURITÉ EN TOUT TEMPS.

INFORMATION DE SÉCURITÉ

- NE JAMAIS SAUTER OU PLONGER DANS UNE PISCINE HORS TERRE.
- MAINTENIR UNE SUPERVISION CONTINUE DES ADULTES LORSQUE LES ENFANTS SONT DANS OU À PROXIMITÉ D'UNE PISCINE HORS TERRE.
 - NE PAS VOUS ASSEoir OU MARCHER SUR LA MARGELLE SUPÉRIEURE D'UNE PISCINE HORS TERRE.
- NE PLACEZ PAS LA PISCINE HORS TERRE SOUS DES OBJETS COMME DES LIGNES ÉLECTRIQUES OU DES ARBRES.
- NE PLACEZ PAS LA PISCINE HORS TERRE À PROXIMITÉ D'OBJETS PERMETTANT DE PLONGER OU SAUTER DANS LA PISCINE.
- LES CONTRÔLES DE MAINTENANCE ET DE SÉCURITÉ DE TOUS LES ÉQUIPEMENTS DOIVENT ÊTRE RÉGULIERS.
 - LIMITER LES ACCÈS À LA PISCINE QUAND IL N'Y A PAS DE SUPERVISION.
- UN ÉQUILIBRE CHIMIQUE APPROPRIÉ DE L'EAU DOIT ÊTRE MAINTENU. VOTRE DÉTAILLANT PEUT VOUS AIDER À MAINTENIR UNE EAU Saine ET ÉQUILIBRÉE.

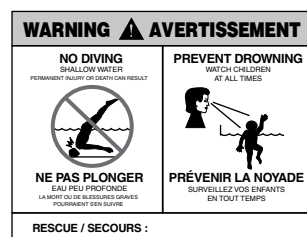
SUIVRE CES CONSEILS ET RECOMMANDATIONS DE SÉCURITÉ EST LA RESPONSABILITÉ DU PROPRIÉTAIRE DE LA PISCINE ET DOIVENT ÊTRE TRANSMIS À TOUS LES UTILISATEURS DE LA PISCINE. TOUTES LES MESURES NÉCESSAIRES DOIVENT ÊTRE PRISES PAR LE PROPRIÉTAIRE DE LA PISCINE POUR ASSURER LA SÉCURITÉ DE TOUS LES UTILISATEURS DE LA PISCINE.



ATTENTION

INSTALLEZ LES AUTOCOLLANTS D'AVERTISSEMENT FOURNIS.
OMETTRE D'APPOSER CES AUTOCOLLANTS ANNULERA VOTRE GARANTIE!

SI VOS AUTOCOLLANTS S'ABÎMENT OU TOMBENT,
VOUS POURREZ EN RÉCLAMER D'AUTRES GRATUITEMENT.



AUTOCOLLANT D'ENTRÉE



AUTOCOLLANT D'INTÉRIEUR